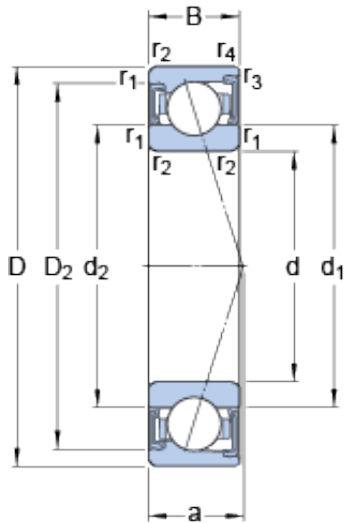




SAFS BEARING SALES COMPANY



25 mm x 47 mm x 12 mm skf S7005
CD/HCP4A Super-precision Angular contact ball bearings

Bearing No. S7005 CD/HCP4A

S7005 CD/HCP4A Bearing 2D drawings and 3D CAD models

Size	47x25x12 mm
Bore Diameter	47 mm
Outer Diameter	25 mm
Width	12 mm
d	25 mm
D	47 mm
B	12 mm
d ₁	32.1 mm
d ₂	32.1 mm
D ₂	42.17 mm
r _{1,2} - min.	0.6 mm
r _{3,4} - min.	0.3 mm
a	10.9 mm
d _a - min.	28.2 mm
d _a - max.	31.6 mm
d _b - min.	28.2 mm
d _b - max.	31.6 mm
D _a - max.	43.8 mm
D _b - max.	45 mm
r _a - max.	0.6 mm
r _b - max.	0.3 mm
Basic dynamic load rating - C	9.6 kN
Basic static load rating - C ₀	5.2 kN



SAFS BEARING SALES COMPANY

Fatigue load limit - P_u	0.22 kN
Limiting speed for grease lubrication	43000 r/min
Ball - D_w	6.35 mm
Ball - z	14
Calculation factor - f_0	9.6
Preload class A - G_A	35 N
Preload class B - G_B	70 N
Preload class C - G_C	140 N
Preload class D - G_D	280 N
Calculation factor - f	1.05
Calculation factor - f	1
Calculation factor - f_{2A}	1
Calculation factor - f_{2B}	1.02
Calculation factor - f_{2C}	1.05
Calculation factor - f_{2D}	1.09
Calculation factor - f_{HC}	1.02
Preload class A	28 N/micron
Preload class B	37 N/micron
Preload class C	51 N/micron
Preload class D	71 N/micron
d_1	32.1 mm
d_2	32.1 mm
D_2	42.17 mm
$r_{1,2}$ min.	0.6 mm
$r_{3,4}$ min.	0.3 mm
d_a min.	28.2 mm
d_a max.	31.6 mm
d_b min.	28.2 mm
d_b max.	31.6 mm



SAFS BEARING SALES COMPANY

D_a max.	43.8 mm
D_b max.	45 mm
r_a max.	0.6 mm
r_b max.	0.3 mm
Basic dynamic load rating C	9.56 kN
Basic static load rating C_0	5.2 kN
Fatigue load limit P_u	0.22 kN
Attainable speed for grease lubrication	43000 r/min
Ball diameter D_w	6.35 mm
Number of balls z	14
Preload class A G_A	35 N
Static axial stiffness, preload class A	28 N/ μ m
Preload class B G_B	70 N
Static axial stiffness, preload class B	37 N/ μ m
Preload class C G_C	140 N
Static axial stiffness, preload class C	51 N/ μ m
Preload class D G_D	280 N
Static axial stiffness, preload class D	71 N/ μ m
Calculation factor f	1.05
Calculation factor f_1	1
Calculation factor f_{2A}	1
Calculation factor f_{2B}	1.02
Calculation factor f_{2C}	1.05
Calculation factor f_{2D}	1.09
Calculation factor f_{HC}	1.02
Calculation factor f_0	9.6
Mass bearing	0.07 kg